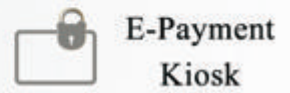
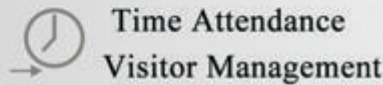


uTouch

Multi-purpose Terminal
NFC+13.56MHz/125KHz+Biometric



uTouch is Multi-purpose RFID smart card & Biometric Terminal with 7.0 inch capacitive Touch screen for intuitive and comfortable user experience. The reliable and smart terminal benefits to powerful RFID options with NFC supporting peer to peer mode, Mifare, DESFire EV1, Mifare Plus, HID I-Class, LEGIC compatible, combined with high fast & accurate fingerprint authentication as option. IP & PoE integrated terminal connects directly to the IP network for easy and low cost network system, support WIFI and GPRS,3G flexible for wireless communication on any occasion.

With embedded Linux or Android OS, uTouch fully open robust and strong platform with API and cross Compile for embedded GUI software development flexible used for a wide range of applications as club membership and E-payment, kiosk, time attendance, physical access etc., much more than traditional time attendance single-purpose use terminal.

Advantages



Multi RFID smart card options
ISO18092 NFC (Peer to Peer), ISO14443A/B, Mifare, DESFire EV1 Mifare Plus, Felica; HID I-Class or LEGIC compatible; 125KHz EM



Reliable Biometric
- Large sensing area, high image resolution 500 dpi
- Fast Speed authentication with 0.76sec (1:1000)
- Each user with 1 to 10 enrolled fingerprints for flexible use
- Program/Enroll fingerprint into card, load template into device or upload to server management



7.0 inch WVGA touch screen
Intuitive menu for convenient and comfortable user experience



2.0 M Pixel Digital Camera
Microphone, Speaker



Power Over Ethernet
- Utilizes PoE enhance stability for low cost installation
- Build-in battery to ensure operation during power failure



USB memory Slot
User info, events and DB backup etc.



SD card Slot

- ◆ **Versatile communication interface**
 - TCP/IP, RS232/RS485, USB, Wiegand In/Out and wireless LAN WIFI, GPRS,3G.
 - Flexible connectors Wiegand 26-58 bits In/Out, RS485/RS232 for third party Readers and Access Controller

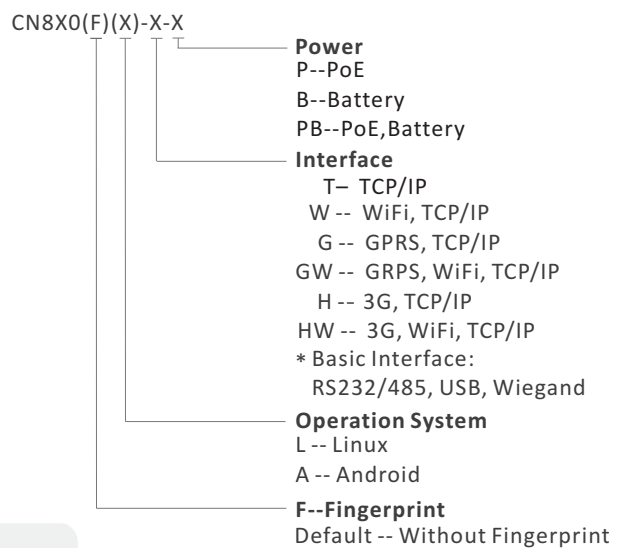
- ◆ **Applications**
 - IP access control terminal with embedded web server for easy management
 - Standalone/Network or server managed terminal for Access Control and Time & Attendance
 - Membership management, Physical Access Control, Time Attendance, E-payment, Kiosk

- ◆ **Operating System**
 - Embedded Linux, Android (option)

Family Member

	CN860(F)-X	CN870(F)-X	EN6(F)-X
NFC		•	
ISO14443A	•	•	
ISO14443B		•	
Mifare	•	•	
Mifare Plus		•	
DESFire EV1		•	
Felica		•	
EM125KHz			•

Order Code



Optional Functions on Request



PoE
Power Over Ethernet



Battery
Build-in Li-ON Battery



3G



SAM slot
For build-in RF Reader

► Terminal Description



- (1) Touch Screen Panel (3) Camera (5) LED (7) Fingerprint (option)
- (2) Infrared Sensor (4) Microphone (6) Card Reader (8) Speaker

► Specifications

Model	CN860(F)-X	CN870(F)-X	EN6(F)-X
Technology	13.56MHz + Fingerprint (option)		125KHz+ Fingerprint (option)
RFID Standard	ISO 14443A Mifare	ISO14443A 4(part 1-4), Mifare, Mifare Plus and DesFire EV1, ISO14443B, Felica	EM 125KHz
ISO18092 NFC	-----	ISO18092 NFC (peer to peer)	-----
RFID Card Supported	Mifare Ultralight, Mifare 1K/4K, Mifare Pro/Prox, SLE 55Rxx, SLE66CL160S, other ISO14443A compatible cards	ISO18092 NFC (peer to peer), Ultralight, Mifare 1K/4K, Mifare Pro/Prox, Mifare Plus, DESFire EV1, SLE 55Rxx, SLE66CL160S and other ISO14443A/B compatible cards, Sony Felica and HID I-Class, LEGIC compatible cards (option)	EM4100, EM4102, EM4200
Operating Voltage	Alternative: ext. power supply DC 9-24V; Power over Ethernet (PoE option), IEEE802.3at; Li-ON battery option		
CPU	Up to 800MHz		
Memory	256MB SLC Nand Flash + 256 MB mobile DDR SDRAM		
Operation System	Linux, Android (option)		
LCD	7.0 inch WVGA touch screen		
Camera	Embedded 2.0M Pixel Digital Camera		
Door Phone	Microphone, 2W/8 OHM Speaker (controllable volume)		
Infrared sensor	Detect approaching people and activate Touch Screen		
Fingerprint	sensor	500dpi Optical Sensor	
	Sensing area	16.0*19.0mm	
	Image size	272*320 pixels	
	FRR/FAR	0.001% / 0.1%	
Fingerprint Identification	1:1 mode; 1:N mode (1:1900; 1:9500 on request)		
Template Capacity	1900 or 9500 on request		
User Capacity	100,000 users		
Log Capacity	1,000,000 events		
Dimension	230*160*45mm		
LED	Bio-color controllable LEDs (Red, Green)		
USB memory slot	2 USB (Host)		
Communication Interface	TCP/IP(RJ45), RS232 / RS485, USB and wireless WIFI, GPRS, 3G		
Wiegand Interface	2 Wiegand In (Wg26-58) + 1 Wiegand Out(Wg26-58)		
GPIO port	4 input, 4 output		
Relay output	3 relay outputs		
SD card	One Secure Digital card slot.		
Battery	Build-in Li-ON battery , 4.2V/ 2200mAH (option)		
Temper Proof	Yes		
Operating temperature	-0° C ~ +50° C		
Storage temperature	-10° C ~ +60° C		
Operating Humidity	5%~90% relative humidity non-condensing		
Indoor/outdoor	Indoor		

Specifications are subject to change without notice.

▶ Application

uTouch is multi-function terminal with powerful hardware flexible used for the most applications, much more than traditional time attendance single-purpose use terminal, such as Access Control, Time Attendance, Visitor Management, Club Membership, E-payment (Kiosk, Vending Machine, Auto Fare Collection)



Kiosk
Vending Machine



Auto Fare Collection



Membership
Management



Visitor
Management



Access Control
Time Attendance

▶ Related Products

Development Kit



CN8-SDK is software development kit for embedded GUI software development by C++ / C language, and use Qtopia framework and Qt-Creator development tool. It includes Development Tools, cross-compiler, Dynamic Library, API, Demo Software, User Manual, Peripheral Operation Examples and System Upgrade Kit.

CN8-SDK also offer Host Demo and robust API for fingerprint and comprehensive cards as Mifare plus and DESFire EV1 etc. and NFC technology. It supports quick system upgrading by SD card and can be easily debug via UART port to greatly ease user's application development.



uHTP is plug and play testing and upgrading package, used for software program debugging and upgrading during GUI software development. It includes testing module, cables, UART cable, Power supply, SD card and testing card etc. User can debug software program via UART port or upgrade system by SD card to realize plug & play easily upgrading and greatly ease user's development.

uTouch GUI Software



Various kinds of ready-to-use GUI software from Partner can be offered as optional software package run on uTouch terminal for mutli-application purpose.

Friendly GUI software designed with intuitive menu bring advanced and comfortable touch experience for easily management.

[Learn more +](#)

uTouch GUI Software



uTouch provide total solutions along with GUI & PC software from Partner as optional software package for mutli-application purpose.

The powerful PC software solution is designed for single or network management on uTouch Terminal by simply one click.

[Learn more +](#)



CIVINTEC is running software partner program with global software partners for various applications. Welcome to join us at uTouch Partner Program.

[Learn more about uTouch Partner Program +](#)