

## ABLOY® PADLOCKS

**Endurance.** Resisting attack and the severest of climactic conditions, ABLOY® padlocks will stand the test of time.



Uniclass L418185
CI/SfB (31.59)   Xt7

VERSION: AUGUST-11

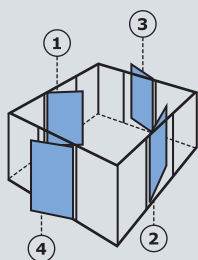
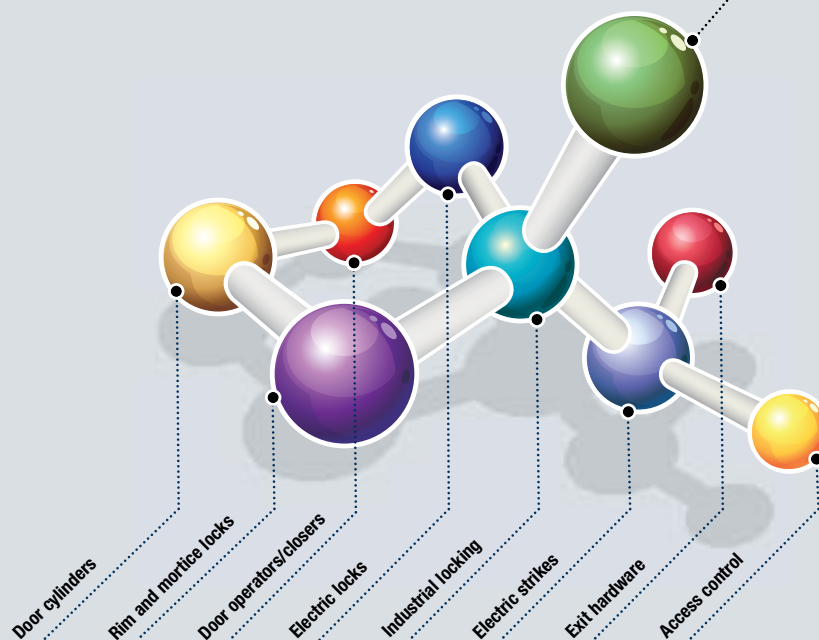
## Integrated door control solutions... it's in our DNA



Abloy UK provide padlocks to meet the strictest standards in the UK and Ireland and we are pleased to welcome you to this catalogue of our products.

Padlocking forms just part of our total service, with a wide range of products and capabilities that integrate perfectly - like our molecular diagram below - to provide a complete door security and functionality solution. There is a catalogue for every category below and you can find our products online at [www.abloy.co.uk](http://www.abloy.co.uk).

To gain advice or expertise with planning, specification and implementation of any door solution, call us on +44 (0)1902 364500.



### Handing

The correct hand of a door can be selected using this diagram. Standing inside the box looking out, choose your door hand from 1 to 4, determined by the hinge side and if the door opens inwards or outwards.



### The key flag logo confirms that ABLOY® products have a Finnish origin

Finnish-made ABLOY® products are known worldwide for their high quality and performance; globally ABLOY® is the leader in high quality locking solutions. You can be confident that the products in this catalogue have been manufactured in Finland to the highest standards.

# Weather beater

The PL300 range meets and exceeds European standards and includes the PL362 our strongest padlock ever, which meets BSEN12320 Grade 6.

With larger bodies to enhance physical strength, superior drill protection hardened steel housing and boron steel shackles, ABLOY® padlocks

ensure maximum resistance against physical attack.

Our PL300 range offers enhanced corrosion resistance making them ideally suited for use in the harshest of environmental conditions.

All 300 series padlocks contain 11 discs and all are patent protected.

Our flagship products the ABLOY® PL300 range has gained worldwide recognition for its strength and durability and is the first choice for defence, government, utilities, telecommunication and rail companies in the UK and Ireland.



## Protec

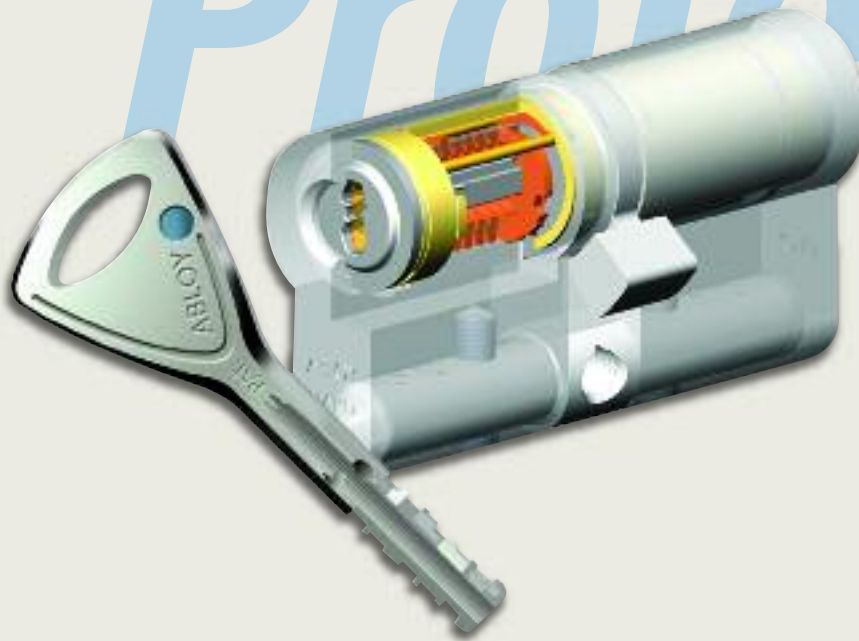
This two way mechanism incorporates all the latest technology and is fully patented in the UK and Ireland until 2019.

- A virtually pickproof mechanism that's impossible to manipulate
- Exceptionally smooth key entry and operation
- Thin, light but incredibly strong key
- Extensive master keying possibilities
- Can be master keyed and keyed alike with cylinders, cam and furniture locks as well as padlocks.
- Choice of security levels

### Product Statement

All ABLOY® cylinders use a rotating disc principle and are therefore immune to the practice of "bumping".

This technique involves the manipulation of the pins inside the lock and, as ABLOY® cylinders do not use pins, this technique is totally ineffective.



### Locks available with Protec mechanisms



To order a Protec mechanism, add /PT after the part number

## Sentry

The latest one way mechanism dedicated to padlocks, cam and furniture locks operating with a strict key registration system, ensure that keys cannot be cut without the correct authorisation.

Recommended as an upgrade to the earlier CLASSIC, HIGH PROFILE and EXEC systems,

SENTRY has considerable advantages over its predecessors.

- A bump proof mechanism
- A smoother more reliable operation
- 365 million different combinations and master keying possibilities
- A large symmetrical double sided key makes key entry much easier
- A patent in the UK and Ireland on the mechanism and key until 2027 ensures against the unauthorised copying of keys

### Product Statement

All ABLOY® cylinders use a rotating disc principle and are therefore immune to the practice of "bumping".

This technique involves the manipulation of the pins inside the lock and, as ABLOY® cylinders do not use pins, this technique is totally ineffective.



### Locks available with Sentry mechanisms



Available from October '11

To order a Sentry mechanism, add /SY after the part number



## Novel

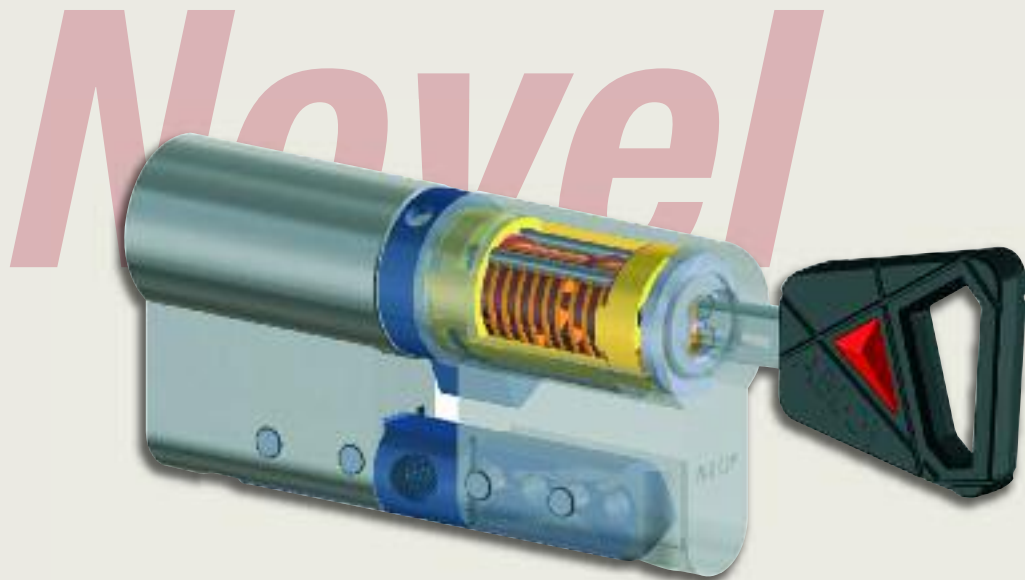
Novel is a new 2-way cylinder mechanism from ABLOY® designed to provide cost effective security - but retain the renowned ABLOY® strength and quality known the world over.

- Patented cylinder and key structure in the UK and Ireland until 2027
- Patented feature is AWS, Anti-Wear-System. AWS is an arrangement in the cylinder and key, which minimizes the effect of wear to the cylinder operation
- Two-way operation of cylinder
- Controlled key duplication
- Plastic key bow with new design
- Range includes all common door cylinders, plus a smaller range of padlocks

### Product Statement

All ABLOY® cylinders use a rotating disc principle and are therefore immune to the practice of "bumping".

This technique involves the manipulation of the pins inside the lock and, as ABLOY® cylinders do not use pins, this technique is totally ineffective.



### Locks available with Novel mechanisms



Available from August '11

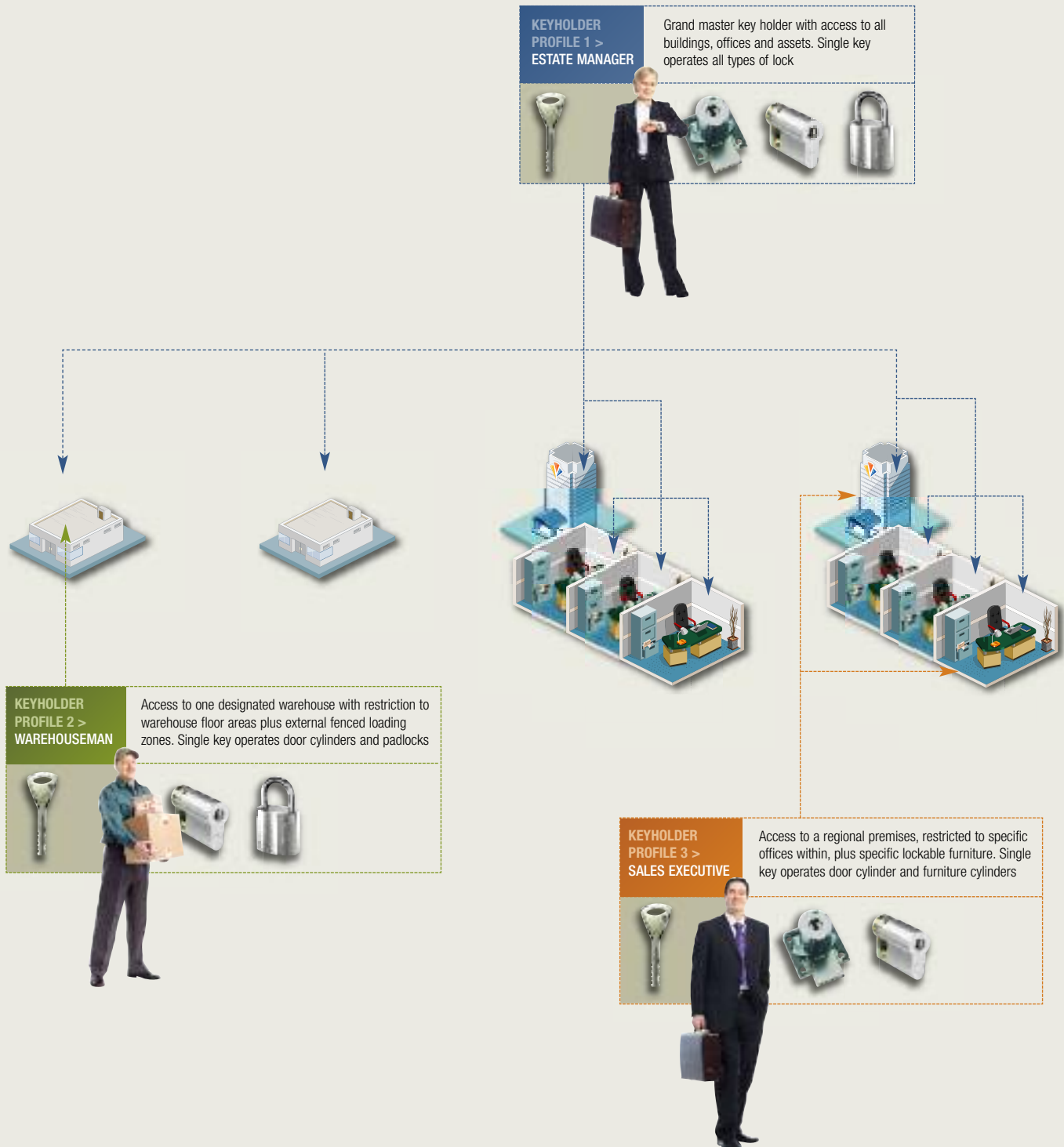
To order a Novel mechanism, add /VL after the part number

## Master key solutions through Abloy cylinder mechanisms

ABLOY® key mechanisms are particularly suited to master key suites, providing keyholding simplicity to often complex requirements. The simplest solution is a master key system with all locks operated by individual keys and an overriding master key operating all locks. Our solutions also encompass highly sophisticated key architecture, providing multi-

level restriction with multiple master keys operating across many sites, overridden by a single grand master key.

A snapshot within a typical master key solution is illustrated below, with the level of key access dictated by seniority of position in the organisation as well as by access requirements.

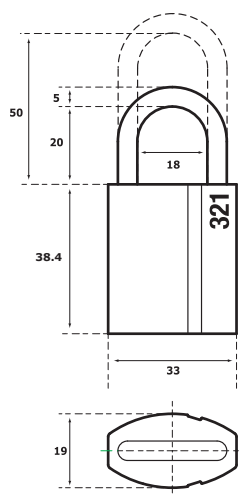


**Safety and security**

Brass bodied padlocks  
Stainless steel open  
shackle

▼  
**PL321/20**  
**PL321/50**

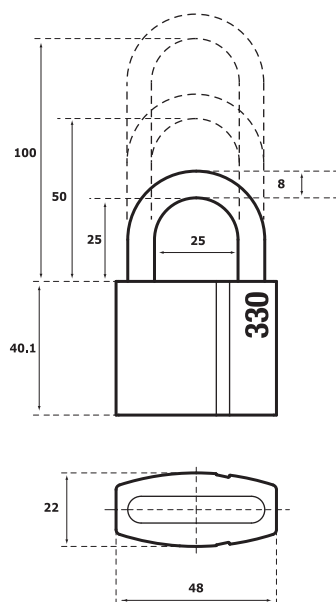
Mechanisms:  
Sentry, Protec

**Safety and security**

Brass bodied  
padlocks  
Brass open shackle

▼  
**PL330B/25**  
**PL330B/50**

Mechanisms:  
Sentry, Protec

**Security**

Brass bodied padlocks  
Boron steel open shackle  
BS EN 12320 approved  
(excluding PL330/100)  
Grade 3

▼  
**PL330/25**  
**PL330/50**  
**PL330/100**

Mechanisms:  
Sentry, Protec, Novel



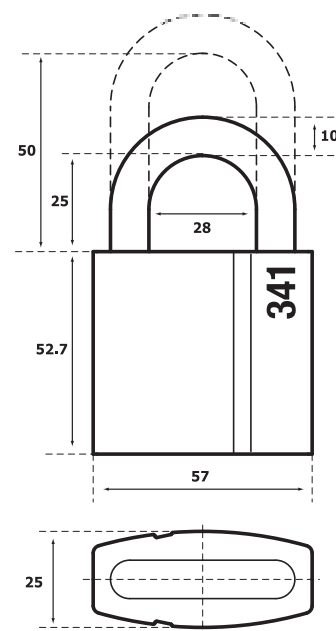
See Page 13

**Security**

Brass bodied padlocks  
Boron case hardened  
Steel open shackle  
BS EN 12320 approved  
Grade 3

▼  
**PL341/25**  
**PL341/50**

Mechanisms:  
Sentry, Protec



TECHNICAL DATA	PL321/20 PL321/50	PL330/25 PL330/50 PL330/100	PL330B/25 PL330B/50	PL341/25 PL341/50
<b>Chrome plated brass body</b>	38mm	40mm	40mm	53mm
<b>Chrome plated stainless steel shackle</b>	5mm			
<b>Brass shackle</b>			8mm	
<b>Chrome plated case-hardened boron steel shackle</b>		8mm		10mm
<b>Rekeyable</b>		•	•	•
<b>Non-rekeyable</b>	•	Special order	Special order	Special order
<b>Key removable in locked position only</b>	•	•	•	•
<b>Mechanism</b>	11 disc	11 disc	11 disc	11 disc



**High security**

Case hardened steel bodied padlocks  
 Boron case hardened steel open shackle

BS EN 12320 approved  
 Grade 4

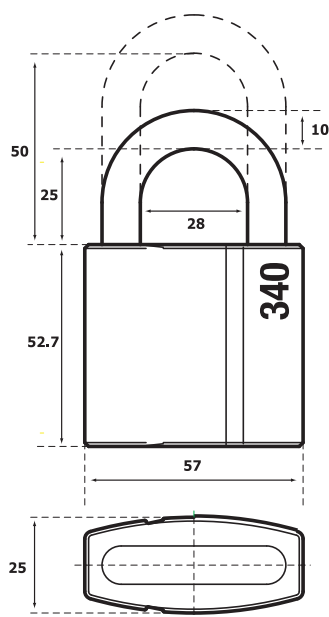


**PL340/25**  
**PL340/50**



See Page 13

Mechanisms:  
 Sentry, Protec, Novel



**Maximum security**

Case hardened steel bodied padlocks

Boron case hardened steel open shackle  
 BS EN 12320 approved  
 Grade 5

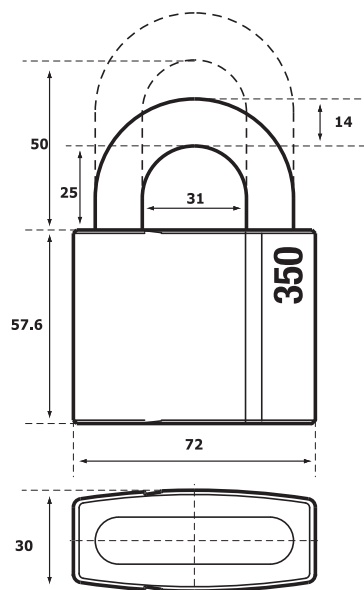


**PL350/25**  
**PL350/50**



See Page 13

Mechanisms:  
 Sentry, Protec



TECHNICAL DATA	PL340/25 PL340/50	PL350/25 PL350/50
Chrome plated case-hardened steel body	53mm	58mm
Chrome plated case-hardened boron steel shackle	10mm	14mm
Rekeyable	•	•
Non-rekeyable	Special order	Special order
Key removable in locked position only	•	
Mechanism	11 disc	11 disc

**High security**

BS EN 12320 approved

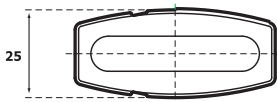
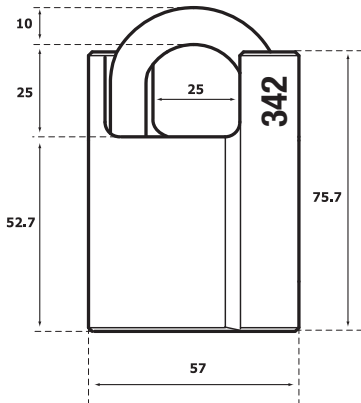
Case hardened steel bodied padlocks

Boron case hardened steel close shackle



**PL342**

Mechanisms:  
Sentry, Protec



**Maximum security**

BS EN 12320 approved

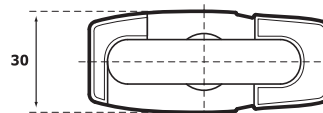
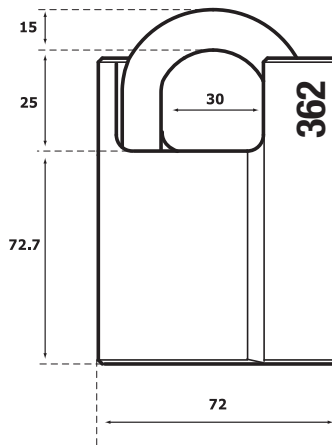
Case hardened steel bodied padlocks

Boron case hardened steel close shackle




**PL362**

Mechanisms:  
Sentry, Protec



TECHNICAL DATA

	PL342	PL362
<b>Chrome plated case-hardened steel body</b>	76mm	96mm
<b>Chrome plated case-hardened boron steel shackle</b>	10mm	15mm
<b>Rekeyable</b>	•	•
<b>Non-rekeyable</b>	Special order	Special order
<b>Key removable in locked position only</b>	•	•
<b>Mechanism</b>	11 disc	11 disc



**Protecting Channel Tunnel.** Rail Link Engineering, the company responsible for the design and project management of the Channel Tunnel Rail Link (CTRL), has selected a high security ABLOY® master key system to safeguard Section One of the CTRL which runs between the Channel Tunnel and St Pancras in London.

Rail Link Engineering specified ABLOY® padlocks, which have been specially designed to provide maximum resistance against physical attack, to secure track gates, cabinets, intakes and tunnel access gates. The extremely tough padlocks feature a robust construction for optimum mechanical strength, as well as improved drill protection, hardened steel housings, boron steel shackles and hardened stainless steel balls locking the shackle on both sides to enhance security still further. To complete the security system ABLOY® cylinders were selected to secure equipment houses, signalling buildings and rooms, and engineering rooms.

All the products used in the CTRL form part of a cutting edge master key suite based on the high security ABLOY® PROTEC cylinder mechanism. PROTEC uses ABLOY's proven high security principle of rotating detainer discs but takes the technology further by incorporating two unique features: firstly, keys and discs that are cut on two radii, rather than the conventional single

radius, and secondly, the use of a new disc blocking function making PROTEC virtually pickproof. In addition, the use of a new design of disc controller, with smaller steel ball bearings, makes both the insertion of keys and the operation of the cylinder far smoother than previously possible, resulting in wear and tear to the key and lock being practically eliminated.

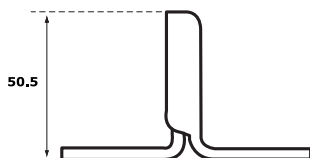
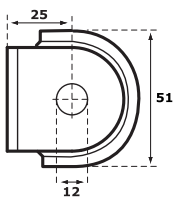
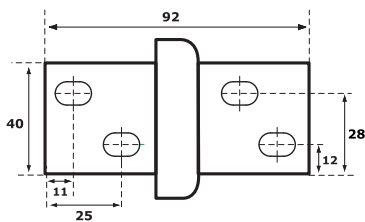
One of the major benefits of a master key system is that it enables individuals to hold just one key that allows admission to only those areas, which the person has authorisation to access, thus ensuring the highest levels of security and practicality.

## Medium security

## ▼ General

## PL204

- 12mm diameter shackle hole
- Non-handed
- Frame fixed
- Zinc coated, case hardened steel
- Security fixing screws included



## High security

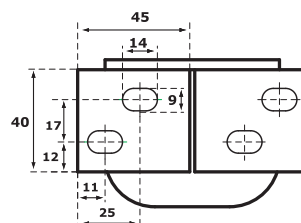
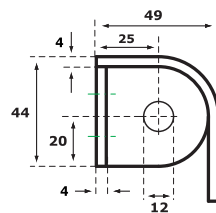
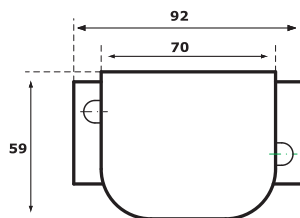
BSEN 12320 approved  
Grade 3

## ▼ General

## PL200

## PL202

- 12mm diameter shackle hole
- PL200 right handed door
- PL202 left handed door
- Frame fixed
- Zinc coated, case hardened steel
- Security fixing screws included



## Maximum security

BSEN 12320 approved  
Grade 4

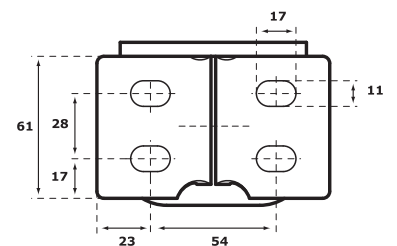
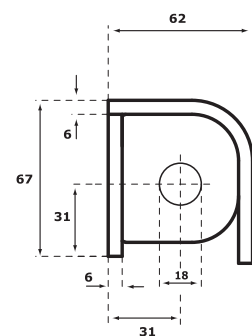
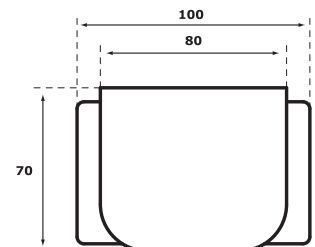
## ▼

## General

## PL201

## PL203

- 18mm diameter shackle hole
- PL201 right handed door
- PL203 left handed door
- Frame fixed
- Zinc coated, case hardened steel
- Security fixing screws included



**Mechanism covers**

Plastic covers to provide additional protection against dust, debris and moisture.



**802897**

For use with PL330



**802858**

For use with PL350



**808248**

For use with PL330



**805649**

For use with PL340 and PL341



**Padlock chains**

- 12mm diameter shackle hole
- 220mm length
- Zinc plated polyester coated
- Case hardened steel
- Security fixing screws included



**805349**

Suitable for use with PL330/25 padlock 8mm shackle



**805351**

Suitable for use with PL340 and PL341 padlock 10mm shackle



**SWP**

Available in PL330, PL340 and PL350

- IP57 rated
- Ideal for protection in extreme weather



**Standards**

ABLOY® padlocks have been designed not only to meet the European Standard BS EN12320, but to exceed them. We rigorously assess the durability of our padlocks with tests such as the acetic acid salt-spray test, which ensures that our padlocks can withstand the elements when used in exposed locations.

The quality system used in the ABLOY® factory meets the requirements of the international Quality System Standard ISO 9001 (corresponds to the USA Standard ANSI/ASQC Q91) plus ISO 14001.

BS EN12320 REQUIREMENTS	BS EN GRADE					
	1	2	3	4	5	6
Minimum number of differs	300	1000	2500	5000	10000	20000
Pulling of shackle/staple (kN)	3	5	15	30	70	100
Twisting of shackle/staple (Nm)	40	100	200	450	1200	2500
Cutting of shackle/staple (kN)	6	15	25	35	70	100
Blow on shackle/staple (x 5 times) (weight/g x height/mm)			1250x800	3050x1000	6550x1400	7150x1500
Test temperature			-20°C	-20°C	-40°C	-40°C
Blow on lock body (x 5 times) (weight/g x height/mm)			1250x800	3050x1000	6550x1400	7150x1500
Test temperature			-20°C	-20°C	-40°C	-40°C
Load on cylinder plug or locking mechanism (kN)			4	5	10	15
Drilling (minutes)				2	4	8
Sawing (minutes)				2	4	8
Torque resistance of cylinder plug (Nm)			5	15	20	30

SCANDINAVIAN PADLOCK NORM SSFN 014	SECURITY GRADES					
	-	1	2	3	4	5
Sawing test (minutes)	-	-	1	-	-	-
Picking test (minutes)	-	2	2	10	10	30
Breaking test using hand tools (minutes)	-	-	-	5	10	15

**Test Procedure in Scandinavian countries using handtools**

Prior to testing, product is made available to the "Test Group" in its unassembled form and technical drawings are examined.

One person only attacks the product, aided by one other person, who can assist by holding the padlock with 700mm pipe tongs. One or all of the following tools may be used in attempting to open padlock in the shortest possible time.

- Hammer 700G
- Screw driver 300mm
- Metal chisel
- Bolster
- Vice grip locking pliers 300mm
- Standard pliers 300mm

## A state of the art learning resource for the security industry.

Welcome to our Academy - a new facility for training and understanding of ASSA ABLOY products and all aspects of door locking and function.

We recognise that the high performance of our products can only be realised by the abilities of the people who install them. We have developed the ASSA ABLOY Academy to provide training of the highest

standard, and the Academy brand is recognised as a mark of excellence and accreditation. This gives reassurance to clients of your competence and specialist product understanding.

There is an Academy course designed to provide training in the use of ABLOY® cylinder mechanisms, including master key strategy. To find out more or to

receive our Academy prospectus, simply contact us by any of the following:

Phone: +44(0)1902 364500

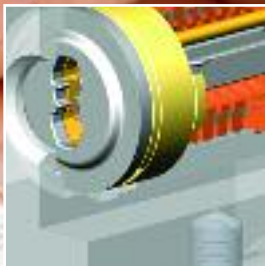
Email: [academy@abloy.co.uk](mailto:academy@abloy.co.uk)

or contact your Sales Account Manager.



WORKSHOP

Workshop-based courses provide specific product training with realistic set up and applications



CLASSROOM

Classroom-based courses give theoretical, strategic and legislative knowledge relating to door security and function

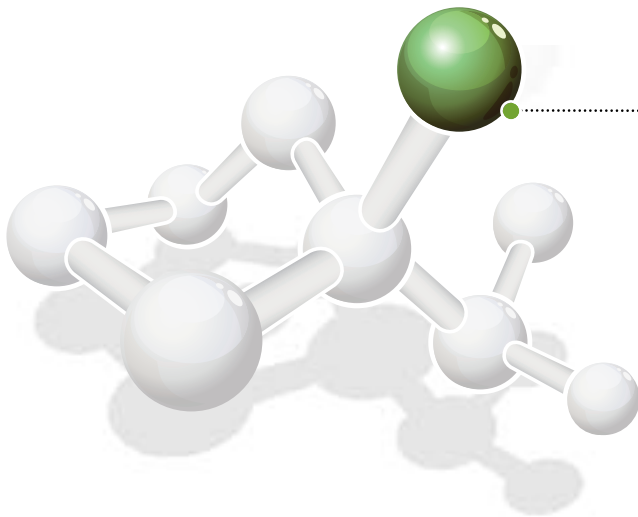
Abloy UK  
School Street  
Willenhall, West Midlands  
WV13 3PW

Phone +44 (0)1902 364500  
Fax +44 (0)1902 364501  
Email [sales@abloy.co.uk](mailto:sales@abloy.co.uk)  
[www.abloy.co.uk](http://www.abloy.co.uk)

Direct line - Sales Office  
0845 071 3844 (UK only)  
Direct line - Customer Services  
0845 071 3855 (UK only)  
Calls charged at local network rates

## From product supply through to planned and implemented door control solutions... it's in our DNA

We are the UK's leading experts on door locking and functionality. Our product range, including padlocks, connects like the molecular diagram below, to form complete, secure, compliant and lasting solutions trusted by organisations around the UK and Ireland for whom compromise is not an option.



### Product supply >

Simply order the products you need from our friendly and knowledgeable staff

### Expertise >

Helpful advice when you need it from our door control specialists

### Planning and specification >

For larger projects, call on us for full service assessment and planning of your needs, from fire exiting and compliance to master key strategies

Due to a continuous programme of development, Abloy UK reserves the right to make alterations without notice. For technical reasons connected with colour reproduction the colours shown may vary slightly from those of the product. All dimensions provided within this catalogue are approximate and for guidance only.

E. & O. E. For terms and conditions of sale, please refer to the current price list.

Abloy UK markets high quality products and accessories for security applications. Our customer base provides solutions to a broad spectrum of public and private organisations throughout the UK and Ireland.

